

ICE® Model 58B Hydraulic Vibratory Driver/ Extractor with Model 595G Power Unit



Largest eccentric moment (57 kg-m) in its class.
444 kW CAT C15 Tier 3 (Stage IIIA) engine meets all EPA & EU emission regulations.
Up to 900 kN line pull for extraction.



Optional bias weights up to 2495 kg increases pile penetration rates in difficult soils.

Maximum efficiency and reliability ensured by our open-loop hydraulic system. Highest quality, reliable piston pumps and motors.

Remote-control pendant for vibrator and clamp with emergency stop. Engine speed control for fuel efficiency.

Full range of clamps available for sheet piling, H-Beams, pipe & caissons and timber & concrete piles.

Adaptable for underwater, low headroom or box leads operation.

Heavy steel enclosure and fuel-tank subbase protect power unit.

Designed and manufactured in the USA by ICE®, world leader in cost-effective foundation equipment since 1974.

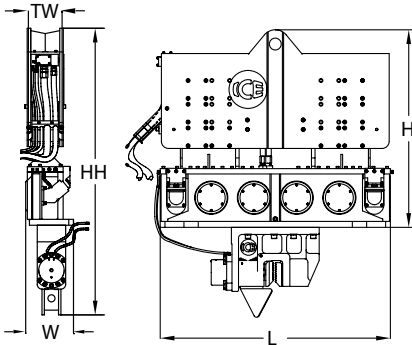


ICE® Model 58B

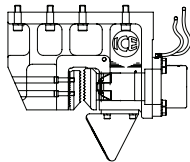
Hydraulic Vibratory Driver/ Extractor with Model 595G Power Unit



Dimensions

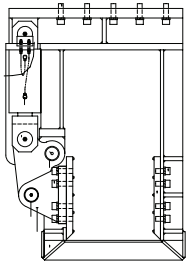


Clamps & Accessories



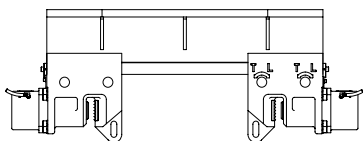
**Model 140C
Sheeting
Clamp**

Clamping force
140 tons, 1245 kN
Weight
2,200 lbs, 1000 kg



**Model 85
Wood, Concrete
& Pipe Clamp**

Clamping force
85 tons, 756 kN
Weight
6,500 lbs, 2950 kg



**6.5' Caisson Beam with
Model 100BH Caisson Clamps**

Clamping force
220 tons, 1975 kN
Weight
4,610 lbs, 2090 kg

Other Model 58B Accessories

12' Caisson beam
10' Clamp extension
90° Turning plate
Bias weights
26' leads sled
Low-headroom suppressor
Vibrator stand
Wireless remote

Model 58B Vibrator Specifications

Eccentric moment	57 kg-m
Maximum frequency	1600 vpm
Centrifugal force	1797 kN
Amplitude (free w/o clamp)	32 mm
Standard line pull for extracting	600 kN
Maximum line pull for extracting	900 kN
Weight (no clamp or hoses)	5650 kg
Non-vibrating weight	2070 kg
Height without clamp (H)	2135 mm
Length (L)	2485 mm
Width (W)	530 mm
Throat width (TW)	362 mm
Hydraulic hose length	46 m
Hydraulic hose weight	705 kg
Height with sheeting clamp* (HH)	3096 mm
Weight with sheeting clamp & 1/2 hoses*	7045 kg
Height with beam & caisson clamps* (HH)	2784 mm
Weight with beam & caisson clamps*	8140 kg

* See "Clamps and Accessories Manual" for in-depth description

Model 595G Power Unit Specifications

Engine	CAT C15
Power	444 kW
Operating speed	1850 rpm
Max. motors pressure	380 bar
Motors flow (no load)	610 lpm
Clamp pressure	310 bar
Clamp flow	21 lpm
Weight (w/ full fluid & 1/2 fuel)	7420 kg
Length	4040 mm
Width	1855 mm
Height	2540 mm
Hydraulic reservoir	1630 liters
Fuel capacity	570 liters

International Construction Equipment, Inc.
301 Warehouse Drive
Matthews, NC 28104 USA
888-ICE-USA1 / 704-821-8200
sales@iceusa.com / www.iceusa.com

Constant improvement and engineering progress make it necessary that ICE®, Inc. reserve the right to make specification changes without notice. Please consult ICE® for the latest available information.

©International Construction Equipment, Inc. All rights reserved. January 2013.

UV50B_595G_Jan2013